

B80P SPECIFICATION	
Battery	LiFePO <sub>4</sub>
Capacity	806Wh
Charging Temperature	0°C to 40°C (32°F to 104°F)
Discharging Temperature	-20°C to 40°C (-4°F to 104°F)
Dimension	290 x 200 x 230mm
Net Weight	9.8kg

DC Output		
Cigarette Lighter Port *1	Power	120W
	Voltage	12V
	Current	10A
USB-A *1	Output	18W, 5V/3A 9V/2A 12V/1.5A
USB-C *1	Output	5V/9V/12V/15V/20VDC/3A 20VDC/5A

PV/DC Input	
Power	200W
Voltage	12V~28.8V
Current	8.2A±0.3A

Compliance & Certification	
Compliance	UN38.3, 3C, SRRRC,FCC, IC, UL, PSE, TELEC, CE,NTC, RCM, KCC, LOA, ICASA
IP Rating	IP65

\* Specifications are subject to change without notice



Contact Us



TECHNOLOGY  
PIONEER  
IN CLEAN ENERGY

US-EN-V3.1



TECHNOLOGY  
PIONEER  
IN CLEAN ENERGY

# BLUETTI AC60P

## 600W Expandable Portable Power Station

Unleash Outdoor Possibilities



Water-resistant

Dustproof

# IP65-Rated Water-resistant & Dustproof Power Station



### Flexible

504Wh-2116Wh  
Customizable battery capacity



### Powerful

Added wireless charging  
To Accommodate all charging ways



### Safe

Lithium iron phosphate battery  
Ensures electrical safety



### Exquisite

Unique Mini design  
Showcasing elegant outdoor spirit



### 200W maximum solar input

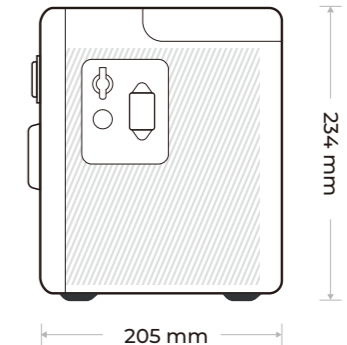
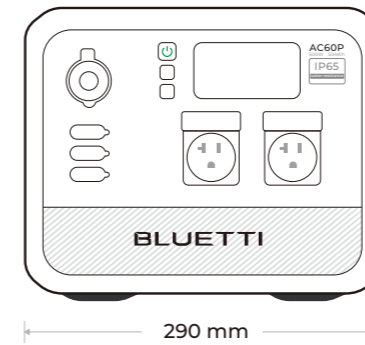
The maximum solar input is 200W  
Extra battery capacity for outdoor



### Smart

Remote control via APP  
User-friendly and convenient

Built for outdoor adventures, AC60P is an all-weather solar generator, supplying 600W power from its 504Wh LFP battery, which can be expanded to 2116Wh via adding two B80P packs. With super fast charging, you can stay powered for long periods in the wild.



### Global Available Socket



### AC60P SPECIFICATION

Maximum Input Power	600W
Capacity	504Wh
Charging Temperature	0°C to 40°C
Discharging Temperature	-20°C to 40°C
Dimension	290 x 205 x 234mm
Net Weight	9.6kg
AC Output Voltage	JP: 100V US: 120V EU/UK: 230V AU: 240V
AC Output Power	600W
AC Output Frequency	50/60Hz

### DC Output

Cigarette Lighter Port *1	Voltage	12V
	Power	120W
USB-A *2	Voltage	5V
	Current	3A
USB-C *1	Output	5V/9V/12V/15V/20VDC/3A 20VDC/5A
Wireless charging Port *1	Power	15W

### DC Input

Maximum Input	200W
Voltage	12V~28V
Current	8.2A

\*Specifications are subject to change without notice