

BLUETTI

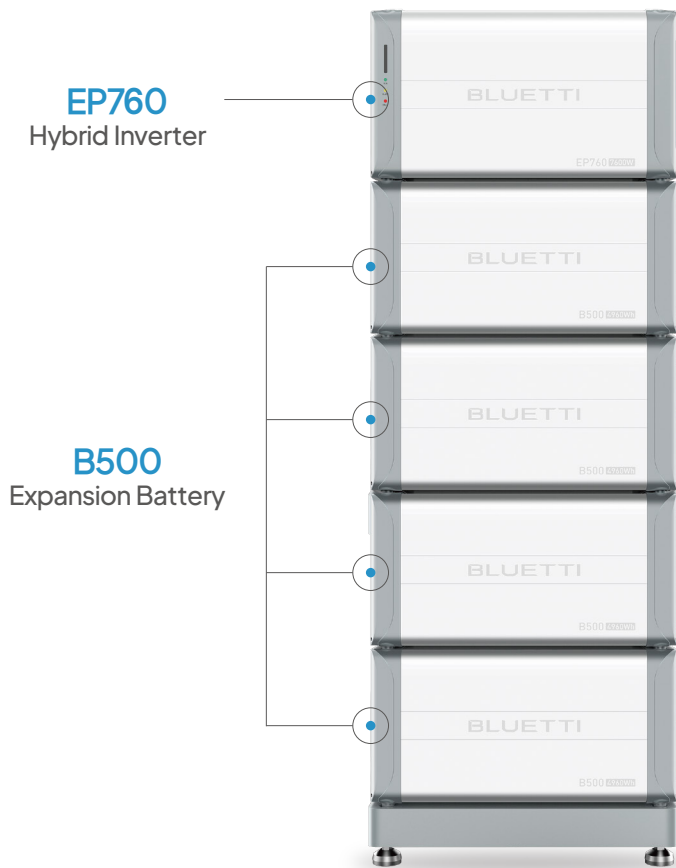
TECHNOLOGY PIONEER
IN CLEAN ENERGY



EP760 Home Energy Storage System

Powerful. Reliable. Flexible.

EP760 Single Phase Residential ESS



EP760
Hybrid Inverter

B500
Expansion Battery

Markets:

Regions using single-phase electricity, like the UK, some European countries, and Australia.

Phase:

Single-phase.

Applications:

House, small villas, and farms.

EP760 Hybrid Inverter:

Built-in photovoltaic inverter and battery inverter with 9kW PV input and 7.6kW AC output.

B500 Expandable Battery Module:

4.96kWh per pack, achieving a flexible capacity of 4.96–19.84kWh with 1–4 packs.



All-in-one system
integrated with hybrid
inverter and battery



Max. 7,600W output*
for 95% appliances



Modular design for
customizable
capacity: 4.96kWh--19.84kWh



Quick installation
in a few hours



Supports both AC coupling and
DC coupling

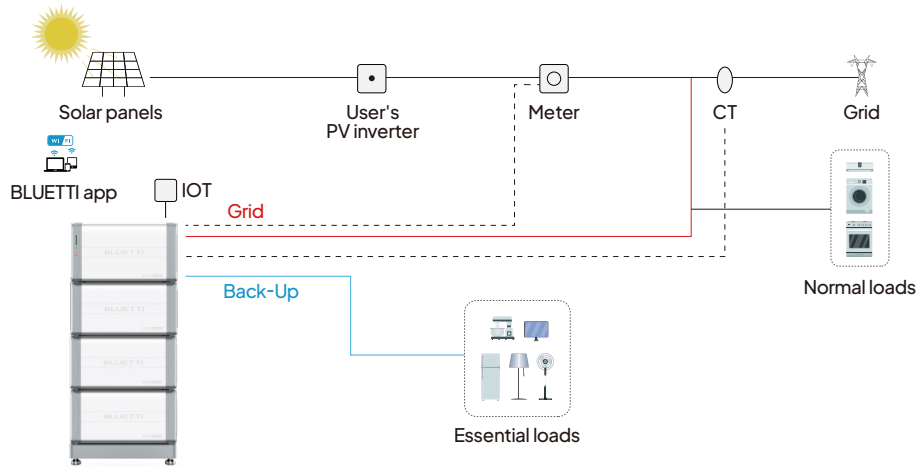


Backup switch
time < 10ms

*For the EP760 + 1 x B500 combo, the on-grid output power is 5,000W without solar panels, while the off-grid power without solar panels is 3,600W.

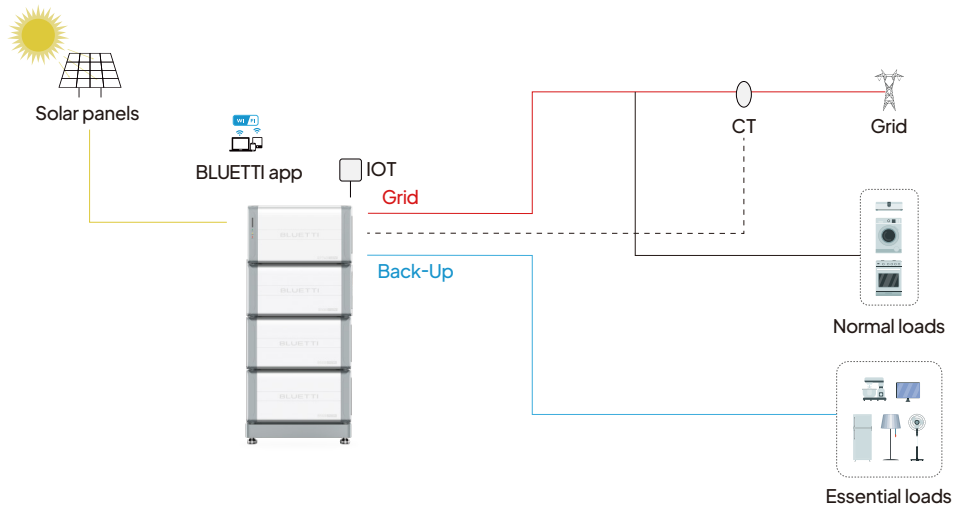
AC Coupled for Existing Solar Panels

Integrate with your current solar setup via AC coupling without affecting your existing solar certification. Or expand your solar production by adding new solar panels via DC coupling.



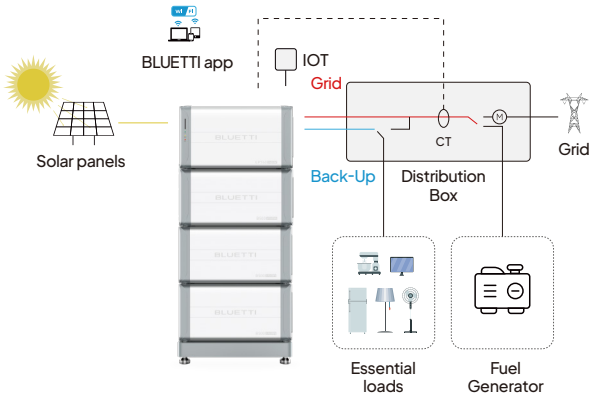
DC Coupled for New Installation Solar Panels

Pairs perfectly with new solar system via DC coupling, offering high conversion efficiency and energy production.



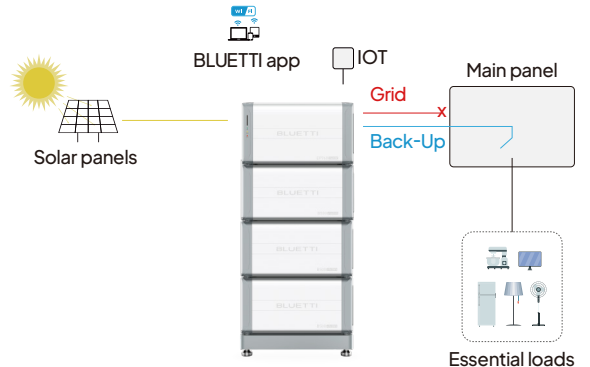
With Generator for Long-term Backup

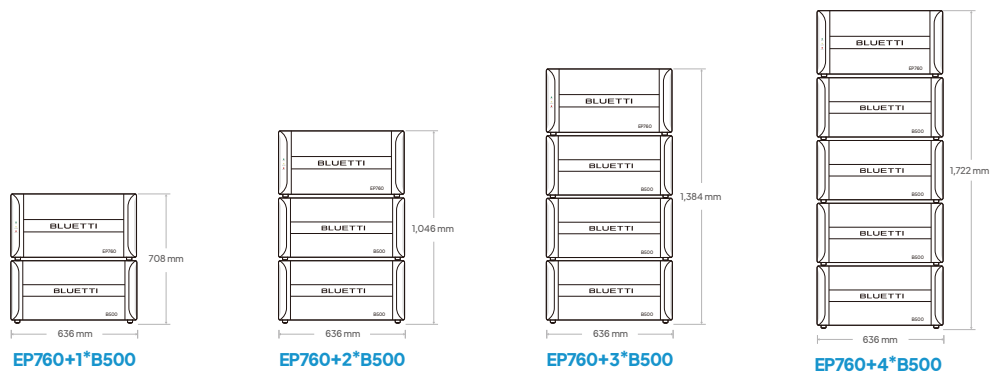
During extended power outages, charge the EP760 during the day using a generator, then power your home with stored energy at night.



Off Grid Applications

Pairs with solar panels to harness renewable energy even far off the grid, like islands, farms, and ranches, enhancing energy freedom and modern comfort.





Specifications

Configuration		EP760+1*B500	EP760+2*B500	EP760+3*B500	EP760+4*B500
Capacity		4.96kWh	9.9kWh	14.8kWh	19.8kWh
Output Power	On grid(Except Germany)	5,000W(Without PV input) 7,600W(With PV input)	7,600W		
	On grid(Germany)	4,600W			
	Off grid	3,680W(Without PV input) 7,600W(With PV input)	7,600W		
Input	Max Recommended PV Array Power	13.5kWp			
	Maximum Input Apparent Power	11,500VA			
	Maximum Input Current	50A			

EP760 Hybrid Inverter

General Data

Operating Temperature	-20°C to 50°C (-4°F to 122°F)
Noise	≤50dB(A)
Dimensions	636 X 325 X 370mm / 25.0 X 12.8 X 14.6 inch
Net Weight	46kg
Connectivity	Wi-Fi/Bluetooth
Degree of Protection	IP65
Input Frequency	50Hz
Switchover Time to Back-up Power	<10ms
Phase	L/N/PE

*5,000W for EP760 + 1 * B500 ESS without solar system
 ** 3,680W for EP760 + 1 * B500 ESS without solar system.

PV INPUT

Max Recommended PV Array Power	13.5kWp
Maximum Input Power	9,000W
MPPT Voltage Range/Rated	150V~500V/360V
Single MPPT Maximum Input Current	12.5A
Number of independent MPPT inputs	3, each 3,000W
Proposal for solar panel array Voc	240V-500V

AC Output (On grid)

Rated Output Power	7,600W*
Rated Voltage	230V
Frequency	50Hz

AC Output (Backup)

Rated Output Power	7,600W**
--------------------	----------

Compliance&Certification

Grid Connections	EN 50549-1, UTE C 15-712-1, DIN V VDE V 0126-1-1, Enedis-PRO-RES_10E version 5, VFR, G99/NI Issue 1, G99 Issue 1 Amendment 9, VDE-AR-N 4105, DIN VDE V 0124-100 (VDE V 0124-100), RD647, UNE 217002, RD 1699, RD 413 BOE-A, CEI 0-21-03 + VI, AS/NZS 4777, C10/11, G100 Issue 2 Amendment 2
Safety	IEC 62109-1, IEC 62109-2, EN 62109-1, EN 62109-2
Emissions	EN/IEC 61000-6-3, EN/IEC 61000-6-1
Certificates	CE

B500 Modular Battery

General

Battery chemistry	LiFePO4
Capacity	4,960Wh
Net weight	127.8 lbs / 58 kg
Protection Grade	IP65
Dimensions	636 x325 x 338mm / 25.0 x 12.8 x 13.3 in



Contact Us

Compliances

Safety	JIS C8715-2, EN IEC 62619, UL 1973, UL 9540A
Emissions	EN/IEC 61000-6-3, EN/IEC 61000-6-1
Shipping	UN 38.3
RoHS	2011/65/EU
Certificates	CE, CB, CETLUS, FCC, IC, RCM