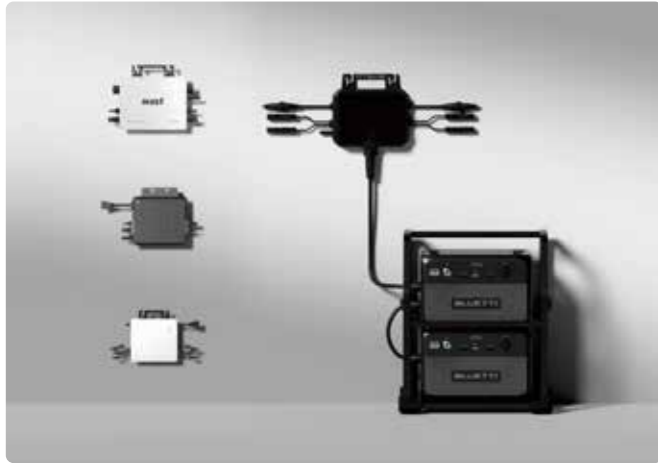


Seamless Integration with Third-Party Microinverters

Maximize the potential of your existing balcony microinverter system by pairing it with our D100P and storage batteries. Enjoy uninterrupted access to solar energy, day and night.



Wide Application

This solar system isn't just for balconies - it's your flexible energy solution for various living environments.



Smart Power Simple Setup



- Intelligent Battery Management**
 6,000+ charge cycles
- Flexible Solar Panel**
 Lightweight, high power, and easy to setup
- DIY-Friendly**
 Quick installation by 1-2 persons, plug-and-play

Automatic & Smart Energy Management

Take control of your energy - plug into the future with S1 Smart Plug!

- Real-time power monitoring at your fingertips**
- Intelligent power distribution for optimal efficiency**
- Minimizes energy waste to maximize savings**
- Adapt to home power fluctuations every second**



Specification

2nd Gen Balcony Solar System	
Capacity	2kWh - 6kWh
Output Power	600W - 800W
Battery Type	LFP
Compatible Batteries	B210 / B230 / B300 / B300K / B300S
Battery Life Cycle	6,000 cycles to 80%
PV Input	1,100W
System Components	Solar Panel(Flexible/Glass) A80P Microinverter D100P Solar Charge Controller BLUETTI Expansion Battery
Third Party Solar Panel Compatibility	Yes
App Connectivity	Wi-Fi / Bluetooth
Pass-through Charging	Yse
Warranty	10 years

	A80P Microinverter	D100P Solar Charge Controller
Protection Class	IP67	
Weight	3.45kg	3kg
Dimensions	235x227x45mm (9.3x8.9x1.8in)	235x225x47mm (9.2x8.8x1.8in)
Noise Level	<40dB	
	Flexible Panel BPV-255	Glass Panel BGPV-410
PV Input Power	255W	410W
Protection Class	IP67	IP68
VOC	51V	37.4V
Dimensions	1,410x1,000x25mm (55.5x39.4x0.98in)	1,722x1,134x30mm (67.8x44.6x1.18in)
Weights	7kg	20.8kg



BLUETTI 2nd Gen Balcony Solar System

Power for Homes, Save on Bills.

Always Share Excellence



EN-V1.0

BLUETTI 2nd Gen Balcony Solar System



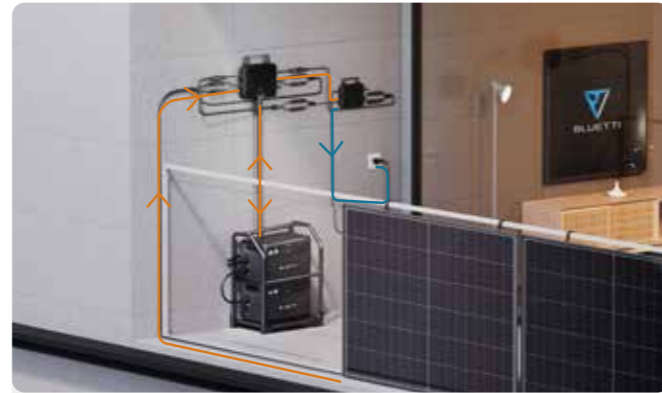
The 1st Comprehensive Balcony Power Solution

BLUETTI 2nd Gen Balcony Power Plant System is a highly efficient grid-tied energy storage system that consists of the solar panel, solar charge controller, microinverter, and battery. It stores extra solar energy generated during the daytime and provides power through the night, effectively reducing your peak-hour energy costs and cutting down your carbon footprint.

Always Share Excellence.

Daytime Solar Savings in Action

Transform your balcony into a mini power plant with **BLUETTI Balcony Solar System**



Captures sunlight and converts it to usable electricity.



Stores excess energy in batteries for later use.



Powers your home appliances directly, cutting daytime energy costs.

Nighttime Uninterrupted Savings After Sunset

Nighttime doesn't mean a return to the grid – it's a continuation of your solar savings. The stored energy keeps your home running smoothly, powering AC units, WiFi routers, lights, and more!



How it works?

1

Solar panel captures the solar energy during the day.

2

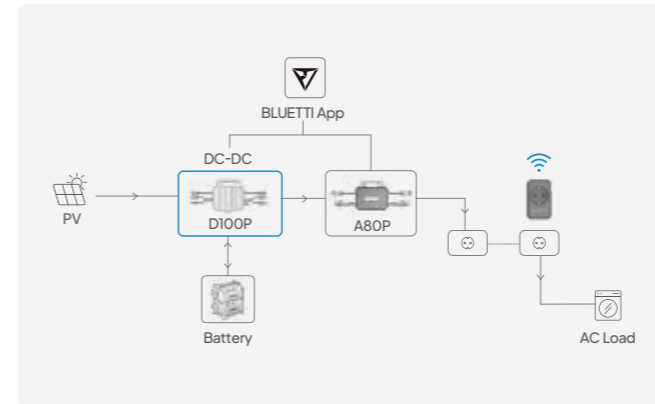
Solar charge controller optimizes the conversion efficiency.

3

Microinverter converts the DC electricity into AC to power your devices.

4

Surplus energy stored in the battery for peak-hour use.



How Much You Can Save

Watch your energy bills shrink while your savings grow -harness up to 4.3 kWh of free solar energy daily, and your system will pay for itself in just 5 years!



IP65-rating Protection Durability and Safety Guaranteed

The balcony solar system is water and dust resistant to maintain excellent performance on your balcony. It also comes with the LiFePO₄ battery for a prolonged lifespan and a 10-year warranty* to spare you a world of hassle.

* The warranty for B210 battery is 5 years.



Universal Compatibility

With a range of compatible expansion battery options, you can mix and match to customize your perfect power setup.

