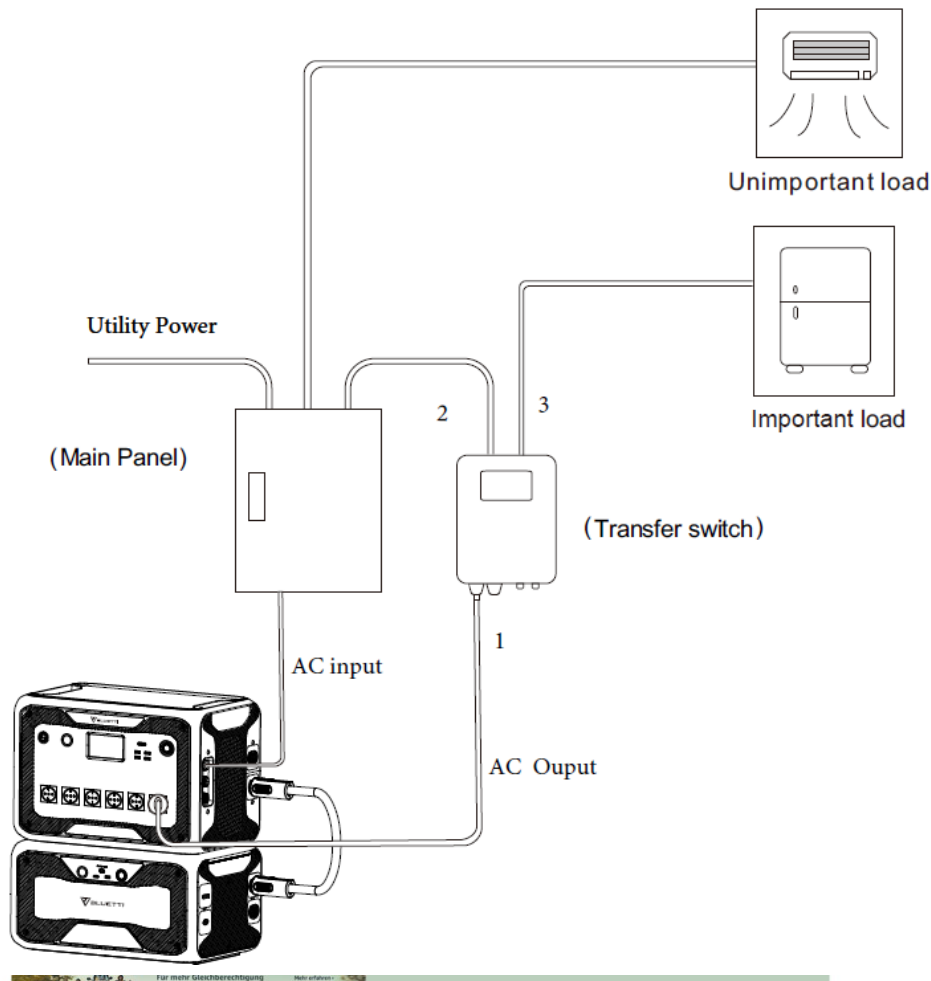


1. Declaration

- The installation should be performed by a licensed electrician. Improper installation may result in death or serious injury and property damage.
 - This document is provided for reference purpose ONLY and does not constitute legal advice. Please consult the local licensed electrician for details.
- BLUETTI shall not be liable for any damage or injury caused by improper installation of the backup system.

2. How to build a partial home backup system for AC300+B300/ EP500 Pro

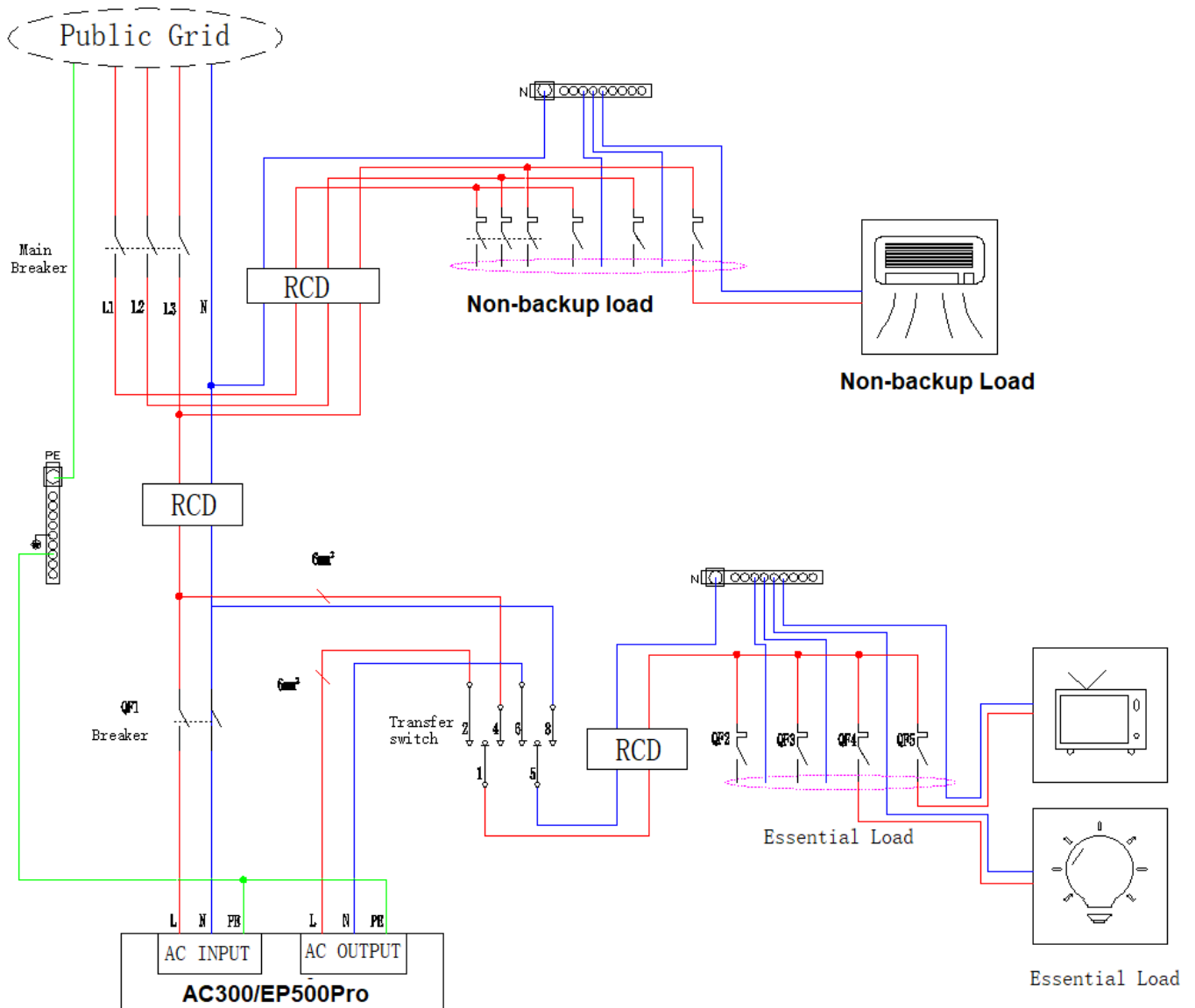


Conmut. mod. 2P,25A,común arriba,l-0-II
 23.92 €
 & KOSTENFREIE Retouren
 KOSTENLOSE Lieferung
 Dienstag, 4. Oktober für
 qualifizierte Erstbestellung nach
 Deutschland und Österreich
 Oder schnellste Lieferung
 Morgen, 1. Oktober. Bestellung
 innerhalb 8 Stdn. 50 Min.
 Lieferung nach 28816 Stuhl
 Auf Lager.
 Menge: 1
 In den Einkaufswagen
 Jetzt kaufen
 Sichere Transaktion
 Verkauf und Versand durch
 Amazon.
 Rücksendungen: Retournierbar
 innerhalb von 30 Tagen nach
 Erhalt
 Geschenkoptionen
 hinzufügen
 Auf die Liste

Purchase from:

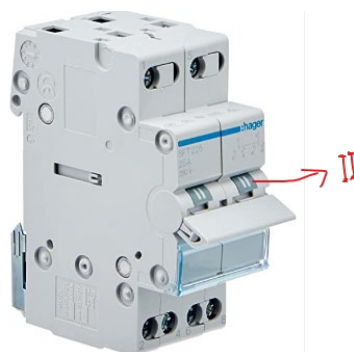
https://www.amazon.de/Hager-sft225-Switch-Modular-2-polig/dp/B00F80WF38/ref=sr_1_56?__mk_de_DE=%C3%85M%C3%85C5%BD%C3%95%C3%91&crd=JLKKSZ5KGNX4&keywords=hager&qid=1664529383&qu=eyJxc2MiOiI3LjQ0liwicXNhljoiNi40NiIsInFzcCI6IjUuNzMiFifQ%3D%3D&srefix=hager%2Caps%2C419&sr=8-56

An example for partial home backup system as following

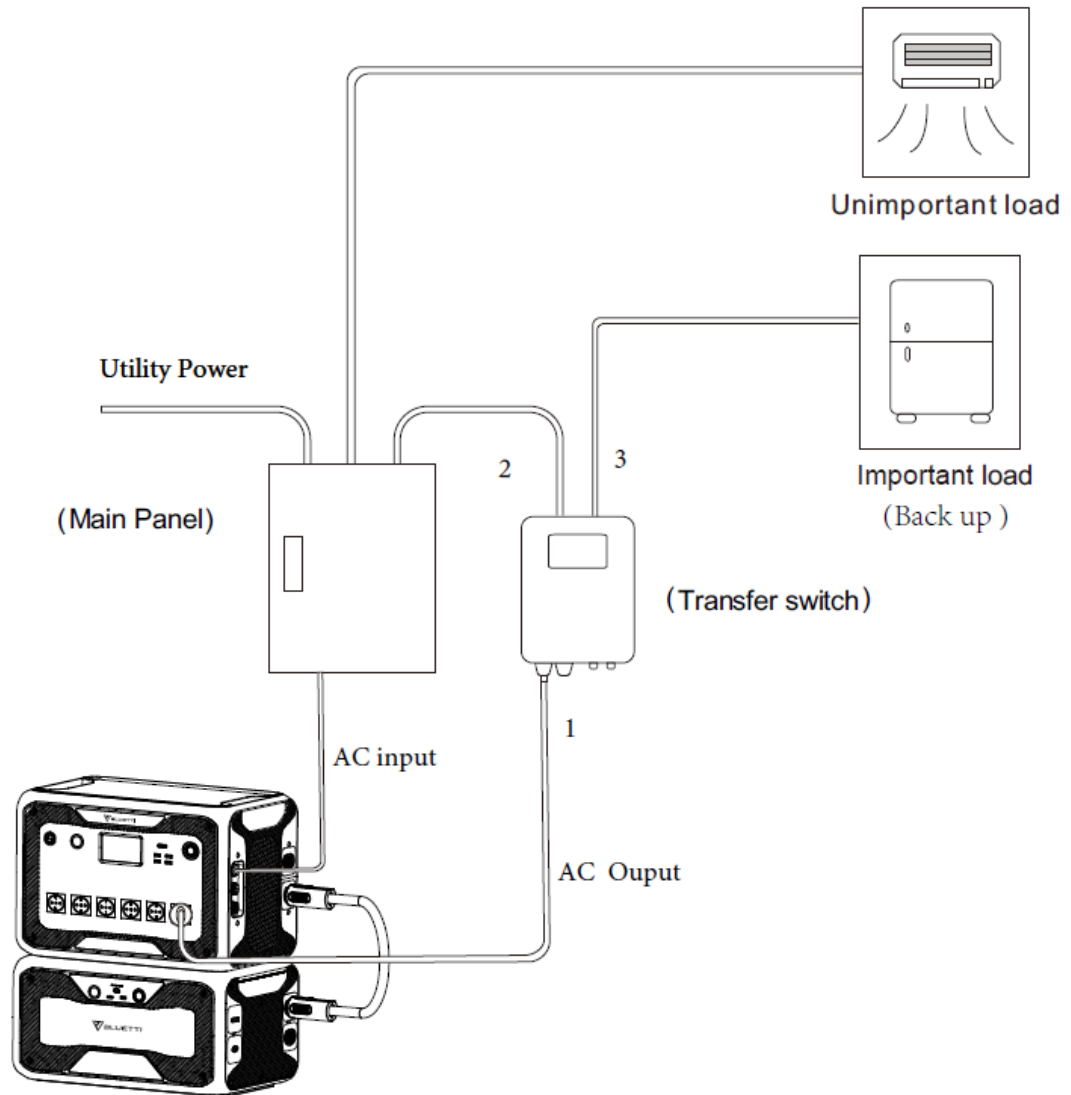


NOTE:

- 1) Move away the wires from the public grid on the essential appliances' breakers, then connect pin 1(L), pin 5(N) of transfer switch to the essential appliances' breakers.
- 2) Switch to I is use the AC300+B300/EP500 Pro supply, we have UPS mode, so owners can switch to I all the time until AC300+B300/EP500 Pro have something fault.
- 3) When something fault on the EP500 Pro /AC300+B300, we need to switch to II is use the public grid supply.
- 4) It is forbidden that connect the Neutral cables of AC input and output of EP500 Pro /AC300 together.
- 5) All power of essential load must less than 3000VA



3.How to build a partial home backup system for AC500+B300S



You need purchase a transfer switch as following :

<https://www.tme.eu/be/nl/details/sft240/installatieaccessoires/hager/>

SFT240 HAGER



Module: tuimelschakelaar; Polen: 2; 230VAC; 40A; IP20; op DIN-rail
Aanduiding van de fabrikant: SFT240
Symbol TME: SFT240

SPECIFICATIE

Producent	HAGER	<input type="checkbox"/>
Type module	tuimelschakelaar	<input checked="" type="checkbox"/>
Aantal polen	2	<input type="checkbox"/>
Nominale spanning	230V AC	<input type="checkbox"/>
Max. nominale stroom	40A	<input type="checkbox"/>
Dichtheidsklasse	IP20	<input type="checkbox"/>
Montage	op DIN-rail	<input type="checkbox"/>
Aantal stabiele posities	3	<input type="checkbox"/>
Contactconfiguratie	DP3T	<input type="checkbox"/>
Knopkleur	grijs	<input type="checkbox"/>
Beschrijving stabiele standen	I-0-II	<input type="checkbox"/>

Brutogewicht 143.4 g

SFT240
0 st in het magazijn [Controleer de leverings](#)
Aantal [st] Nettoprijs [EUR/st]
1+ 21.20
6+ 20.30 [Prijsdetails bekijken](#)
Aantal (Veelvoud: 1)
- 1 + [Bestelling](#)
Totaal: 21.20 EUR
[Vraag naar de prijs voor grotere hoeveelheden](#)

[Verzendmethode en verzendkosten](#)

[Retallineen](#)

[Documentatie PL](#)

[Cataloegbeschrijving](#)

De documentatie wordt niet automatisch bijgewerkt, maar we doen er alles aan om steeds de nieuwste versies van de documenten ter beschikking te stellen.

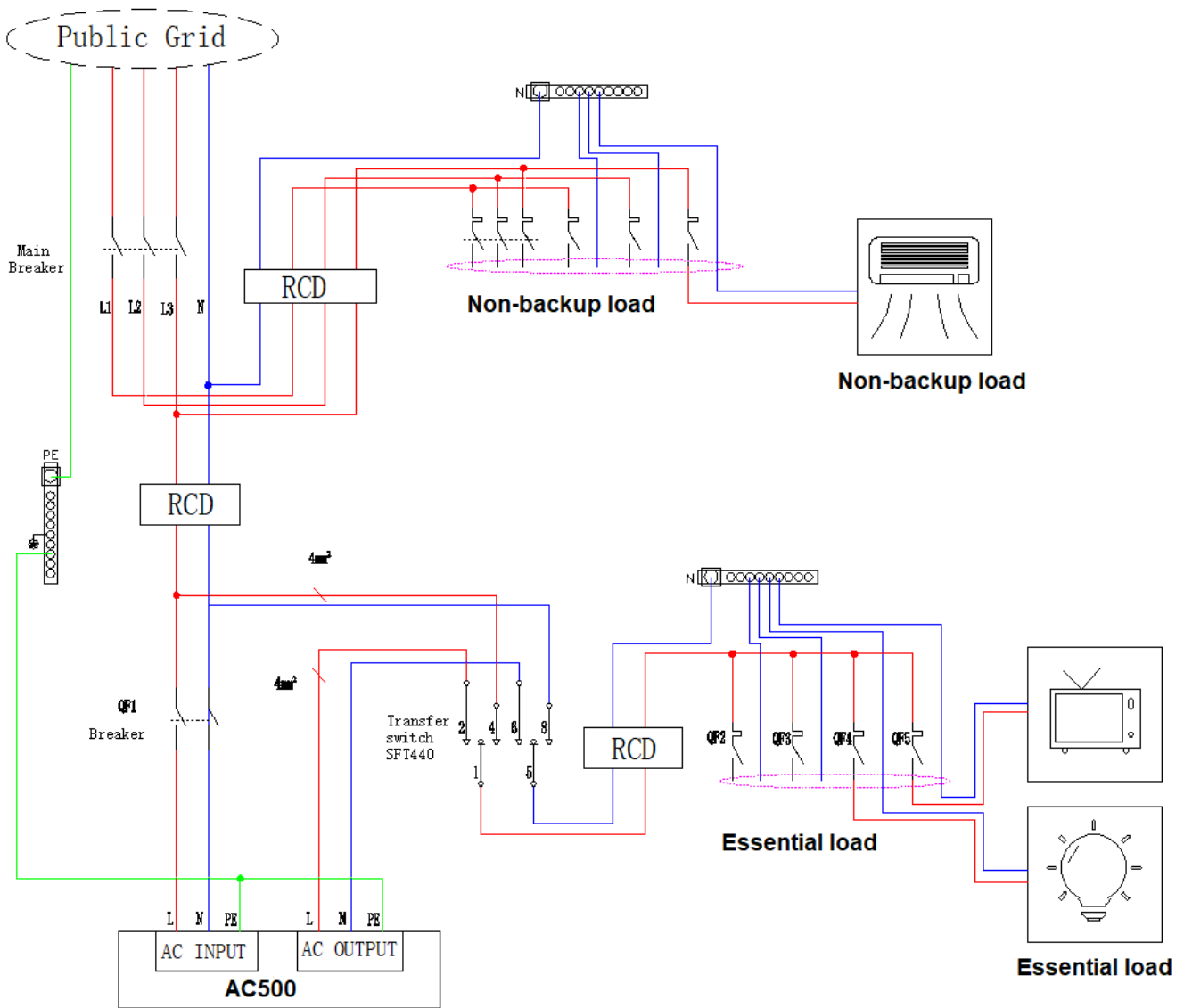
ECAD-model

[Request Free CAD Models](#)

[Vergelijkbare producten tonen \(39\)](#)



An example for partial home backup system as following



Steps for Connecting the transfer switch to the AC500+B300S:

1. Connect the L/N wires from the AC output of AC500 to the SFT240's pin 2(L), pin 6(N)
2. Connect the L/N wires from public Grid to the SFT240's pin 4(L), pin 8(N),
3. Move away the wires from the public grid on the essential appliances' breakers ,then connect pin1(L), pin 5(N) of SFT240 to the essential appliances' breakers.
4. All power of essential load must less than 5000VA.
5. It is forbidden that connect the Neutral cables of AC input and output of AC500 together.